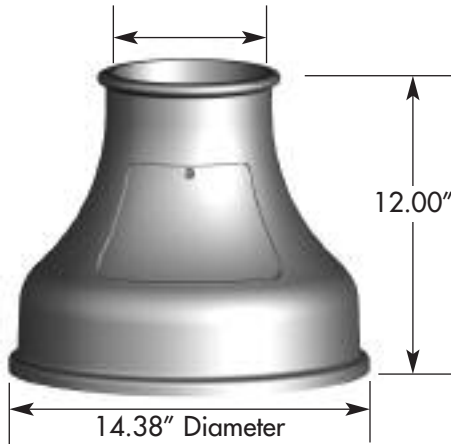


Fits Standard Pole Base Diameters
 5.00" to 6.00"



SPECIFICATIONS

The decorative base is constructed of one-piece cast clamshell A319 alloy aluminum or equivalent.

One-piece base has an integral door designed to fit the aesthetic appearance. Door is supplied with stainless steel button head socket style screw. Hardware is accessible from outside the base for easy installation.

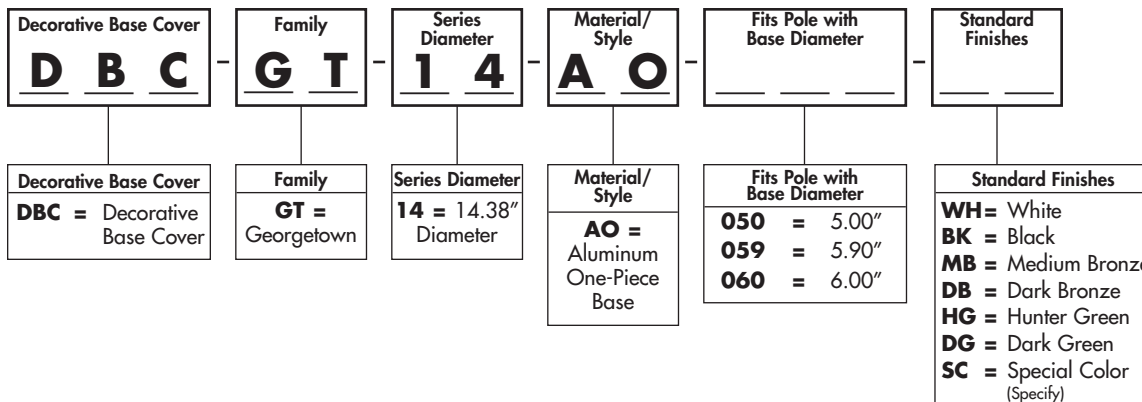
The pole passes through the top circular hole with a tolerance of .25" maximum clearance between the base and the casting. For fluted poles, the flutes start approximately 1-2" above the top of the base for a clean appearance.

The finish for the base is a polyester powder coating applied in accordance with Valmont Industries' Specifications.

The top opening dimensions are calculated using the pole base dimension and a taper rate of .14" per foot. The opening is designed to accommodate outside diameter of mandrel formed round tubes.

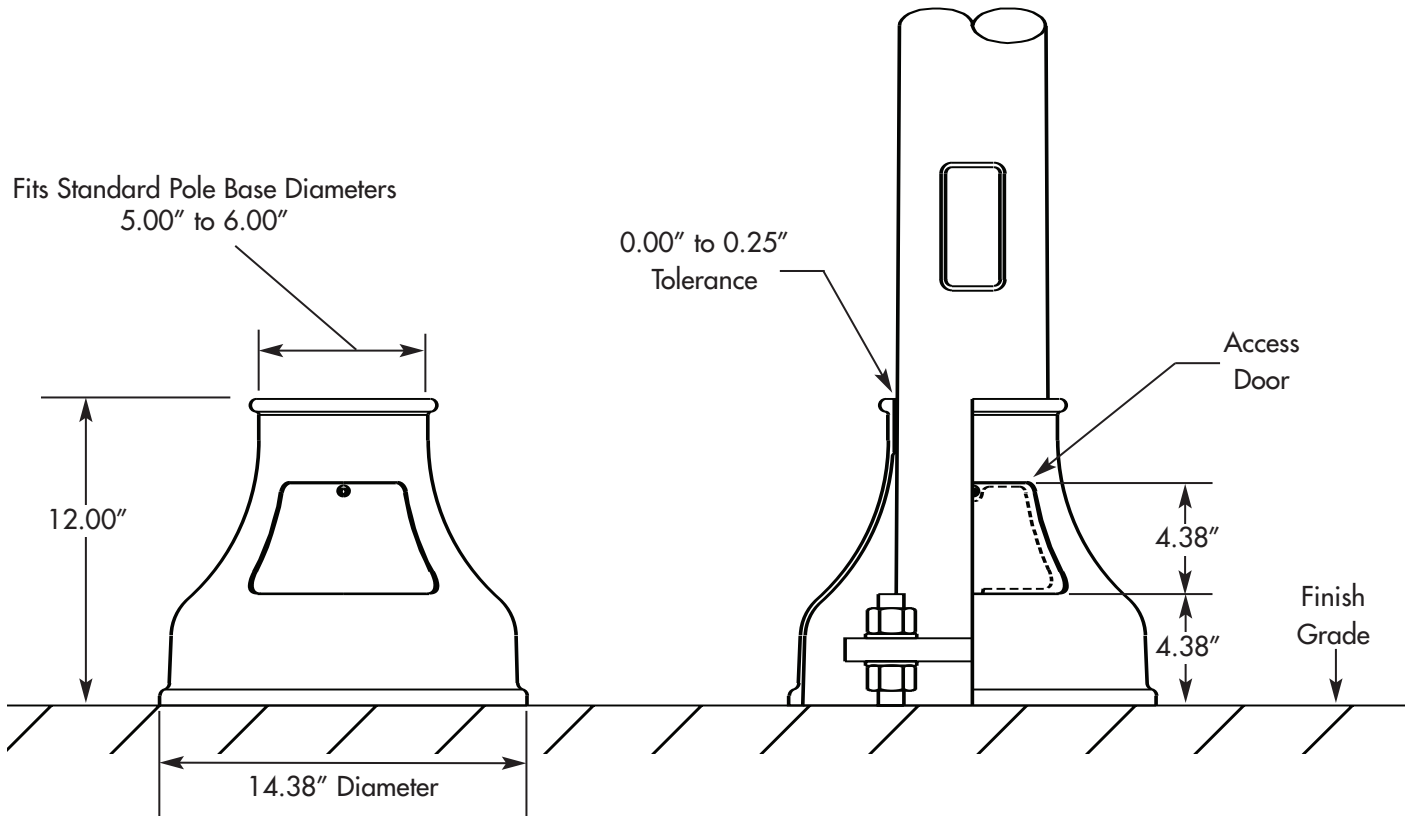
ALUMINUM Clamshell Base

CATALOG LOGIC



GEORGETOWN GT14AO ALUMINUM CLAMSHELL DECORATIVE BASE

BASE MOUNTING DETAIL



NOTE: Pole handhole locations may vary based on rim clearance requirements, pole leveling method and shaft diameter fit tolerances. All dimensioning is based on poles installed using leveling nuts.