

Woodbridge PTA-WB3

SPECIFICATIONS

Aluminum Arms

The arms are fabricated from extruded seamless 6063 alloy aluminum sections and cast sections A356 alloy aluminum components. All components are welded together and then heat treated to T6 temper. Arms are designed to fit over a 3" x 3" pole top tenon and fastened using 0.50" stainless steel set screws. A removable center cap is provided for ease of wire installation.

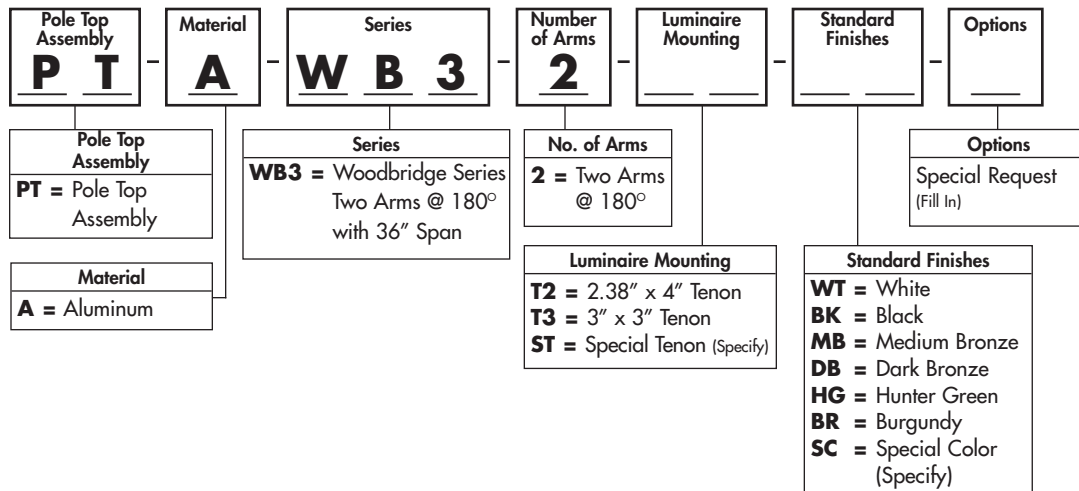
Luminaire Mounting

Luminaire mountings are manufactured with a variety of mounting style tenons. Please refer to the catalog logic for T2 (2.38" X 4"), T3 (3" X 3") and ST (Special) options.

Finish

The finish for the pole top assembly is polyester powder coating applied over chromate pre-treatment in accordance with Valmont Industries Specification.

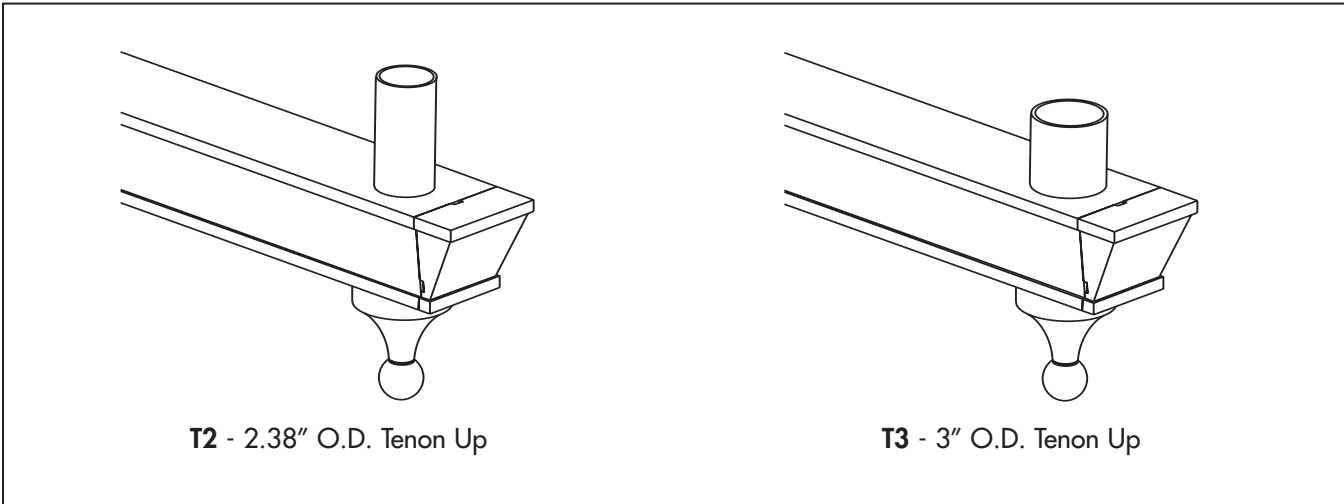
CATALOG LOGIC



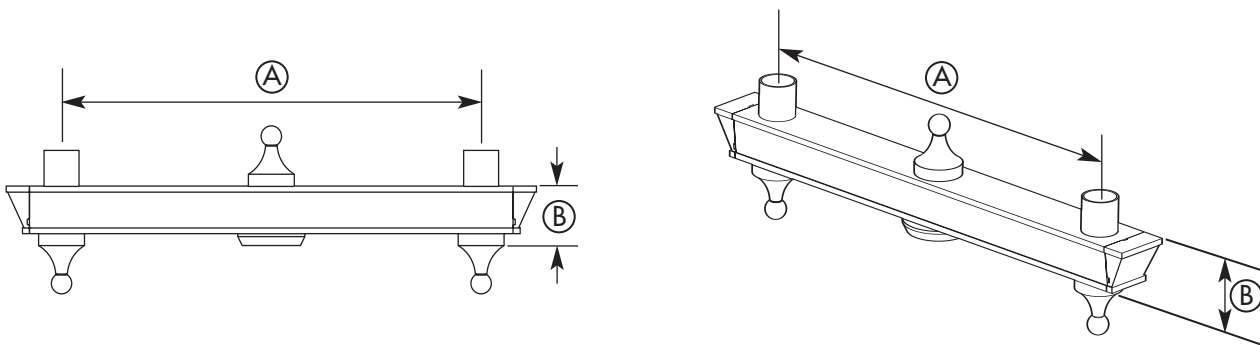
POLE TOP ASSEMBLIES

WOODBIDGE SERIES "PTA-WB3"

LUMINAIRE MOUNTING OPTIONS



STANDARD DIMENSIONAL AND LOAD DATA



Woodbridge PTA-WB3

DIMENSIONS			LOAD DATA	
POLE TOP SERIES	A HORIZONTAL DISTANCE BETWEEN LUMINAIRES (IN)	B HEIGHT TO LUMINAIRE ABOVE POLE TOP (IN)	POLE TOP ASSEMBLY EPA (SQ FT)	POLE TOP ASSEMBLY WEIGHT (LBS)
PTA-WB3-2-(M)-(F)	36	5.00	3.1	21.00

"PTA" Aluminum Pole Top Assemblies Ordering Notes:

- 1) Replace (M) with Luminaire Mounting Selection and (TF) with Pole Top Assembly Finish Selection. See Catalog Logic for choices.
- 2) Pole Top Assembly weight and EPA must be added to luminaire load data to determine appropriate pole size.
- 3) Maximum weight of pole top assembly and two luminaires is 300 lbs.

1-WB-3B