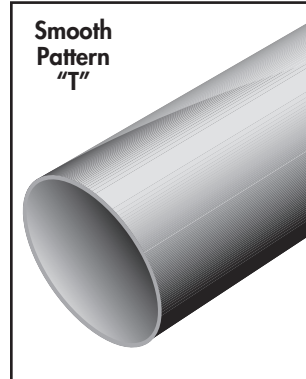


**SPECIFICATIONS**

**Pole**

The Huntington pole is available in 8' to 18' including a cast aluminum structural base with a tapered smooth aluminum shaft. The pole is designed to accommodate a twin arm assembly up to a 36" overall span.



Smooth Pattern "T"

**Shaft**

The shaft is seamlessly extruded from 6063 aluminum alloy. After being spun tapered, the shaft is inserted and welded into the decorative structural base casting.

**Structural Base**

The structural base is cast from A356 aluminum alloy. A continuous circumferential weld at the top and inside of the base joins the structural base casting and shaft. The anchor bolts are located inside the base. The completed assembly is heat-treated to T6 temper after all structural welding is completed.

**Access Door**

An access door is provided to install and service the ground connector and circuit wiring. The door is 16.50" in height and 3.25" in width and fits to the base with stainless steel hardware.

**Anchor Bolts**

Anchor bolts are fabricated from carbon steel bar conforming to the requirements of ASTM F1554 Grade 55. The upper 12" of the bolts are hot dip galvanized per ASTM A153. Each anchor bolt is supplied with two hex nuts and two flat washers.

**Electrical Ground Connector**

A nut holder is provided in the base and accessible from the access door. The nut holder includes a tapped 3/8"-16 UNC bolt.

**Finish**

The finish for the pole is polyester powder coating applied over chromate pre-treatment in accordance with Valmont Industries' Specifications.

**CATALOG LOGIC**

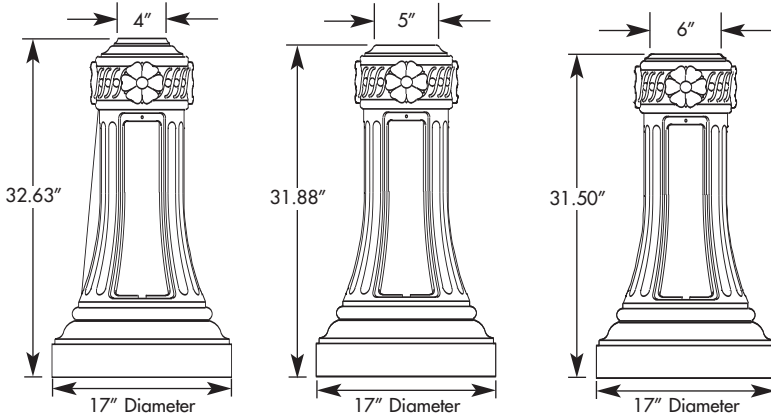
Series	Base Diameter	Material/Style	Length	Top Diameter	Shaft Base Diameter	Wall Thickness	Shape of Shaft	Fixture Mounting	Standard Finishes	Options
<b>HN</b>	<b>17</b>	<b>AS</b>		<b>40</b>		<b>4</b>	<b>T</b>	<b>P</b>		
Series <b>HN</b> = Huntington	Base Diameter <b>17</b> = 17"	Material/Style <b>AS</b> = Aluminum Structural Base	Length <b>080</b> = 8' <b>100</b> = 10' <b>120</b> = 12' <b>140</b> = 14' <b>160</b> = 16' <b>180</b> = 18'	Top Diameter <b>40</b> = 4"	Shaft Base Diameter <b>40</b> = 4" <b>50</b> = 5" <b>60</b> = 6"	Wall Thickness <b>4</b> = 4/32" or 0.125"	Shape of Shaft <b>T</b> = Tapered Round	Fixture Mounting <b>P2</b> = 2 3/8" x 4" Tenon <b>PD</b> = 3" x 3" Tenon <b>P9</b> = Special Tenon (Specify)	Standard Finishes <b>WT</b> = White <b>BK</b> = Black <b>MB</b> = Medium Bronze <b>DB</b> = Dark Bronze <b>HG</b> = Hunter Green <b>BR</b> = Burgundy <b>SC</b> = Special Color (Specify)	Options <b>FS</b> = Festoon Outlet (Indicate Location) <b>SP</b> = Special Attachments (Specify)

① Shaft base diameter is at the top of the decorative base casting.

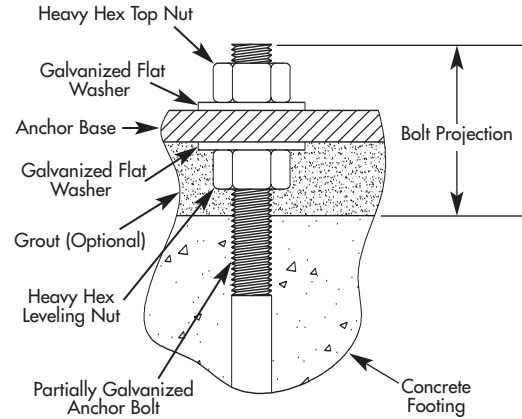
# HUNTINGTON HN17-AS STRUCTURAL 8' TO 18' TAPERED ROUND

## ANCHOR BASE AND BOLT DIMENSIONS

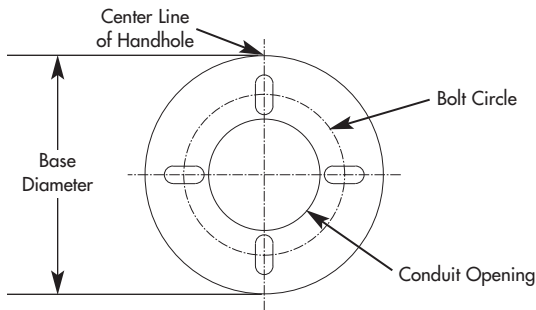
### Base Dimensions



### Bolt Projection Detail



### Anchor Base Detail



BASE DESCRIPTION	BOLT CIRCLE		ANCHOR BOLT		
	DIA. (IN)	± (IN)	DIA. X LENGTH X HOOK (IN)	PROJECTION (IN)	± (IN)
HN17-AS	11.50	1.50	0.75 x 17.00 x 3.00	3.50	0.25

## STANDARD AND DIMENSIONAL DATA TABLE

POLE HEIGHT (FT)	CATALOG NUMBER	SHAFT				80 MPH <sup>(A)</sup>		90 MPH <sup>(A)</sup>		100 MPH <sup>(A)</sup>	
		TOP O.D. (IN)	BASE O.D. (IN)	WALL THK. (IN)	STRUCTURAL WEIGHT (LBS)	MAX EPA (SQ FT)	MAX WEIGHT (LBS)	MAX EPA (SQ FT)	MAX WEIGHT (LBS)	MAX EPA (SQ FT)	MAX WEIGHT (LBS)
8	HN17AS-080-40504T	4.00	5.00	0.125	75	21.9	300	17.0	300	13.4	300
10	HN17AS-100-40504T	4.00	5.00	0.125	79	15.5	300	11.8	300	9.1	300
12	HN17AS-120-40504T	4.00	5.00	0.125	83	11.2	300	8.3	300	6.2	300
12	HN17AS-120-40604T	4.00	6.00	0.125	83	17.4	300	13.1	300	10.0	300
14	HN17AS-140-40504T	4.00	5.00	0.125	87	8.1	300	5.7	300	4.0	300
14	HN17AS-140-40604T	4.00	6.00	0.125	87	13.1	300	9.5	300	6.9	300
16	HN17AS-160-40504T	4.00	5.00	0.125	91	5.7	300	3.7	300	2.2	300
16	HN17AS-160-40604T	4.00	6.00	0.125	92	9.7	300	6.7	300	4.5	300
18	HN17AS-180-40504T	4.00	5.00	0.125	95	3.7	300	1.9	300	-	300
18	HN17AS-180-60404T	4.00	6.00	0.125	96	7.0	300	4.4	300	2.5	300

<sup>(A)</sup> EPA values are calculated in accordance with AASHTO Specifications for Structural Supports for Highway Signs, Luminaires and Traffic Signals, 1994.

EPA calculations allow for 1.3 Wind Gust Factor. Variations from standard sizes listed above, are available upon inquiry at the factory. Satisfactory performance of lighting standard is dependent upon the pole(s) being properly attached to a supporting foundation of adequate design. Valmont Industries does not design or offer recommendations for foundations.