

**"BCAS"  
Spun  
Aluminum  
Low Base  
Series**

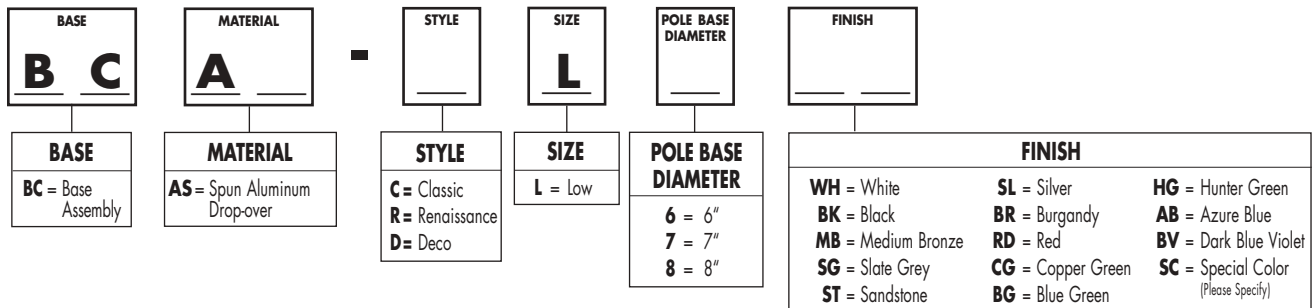
**SPECIFICATIONS**

**Low Bases "BCAS" Series:** Low base assemblies are manufactured from one-piece spun aluminum and are non-structural in nature. The aluminum is alloy 1100 and spun to an approximate thickness of .125" to minimize vandalism and damage. The top hole that the pole passes through is punched based on the specified pole base diameter. The low bases can accommodate poles with base diameters of 6", 7" and 8". The base is sanded after spinning to provide an appropriate surface for adhesion of powder coated finish.

**Installation of Base Assembly:** Bases are designed for "Drop-Over" installation and must be placed over the top of the pole during erection. This must occur prior to mounting of luminaires and luminaire arms to the pole. This approach provides for a clean seamless appearance when installation is complete.

**Finish:** The finish for the base assemblies is polyester powder applied coating in accordance with Valmont Industries' Specifications. Base assemblies may have finishes selected individually to match pole or elements of the pole top assembly.

**CATALOG LOGIC**





# BASE ASSEMBLIES "BCAS" SERIES

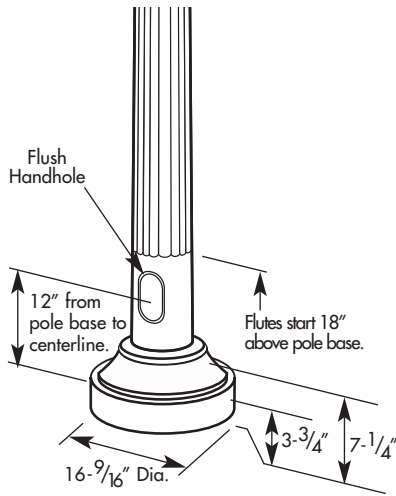
**valmont**

STRUCTURES

**CITY QUARTZ ALUMINUM**

## CLASSIC DIMENSIONS

"BCAS"

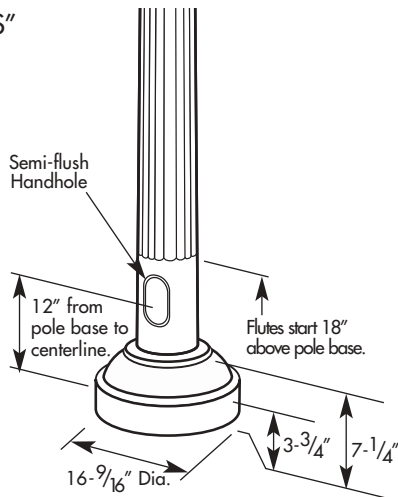


### SPECIFICATION NOTES

- "BCAS" series low bases may be used with all City Quartz fluted or smooth poles.

## RENAISSANCE DIMENSIONS

"BCAS"

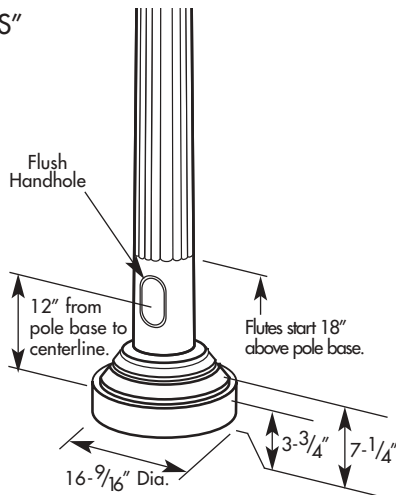


### SPECIFICATION NOTES

- "BCAS" series low bases may be used with all City Quartz fluted or smooth poles.

## DECO DIMENSIONS

"BCAS"



### SPECIFICATION NOTES

- "BCAS" series low bases may be used with all City Quartz fluted or smooth poles.