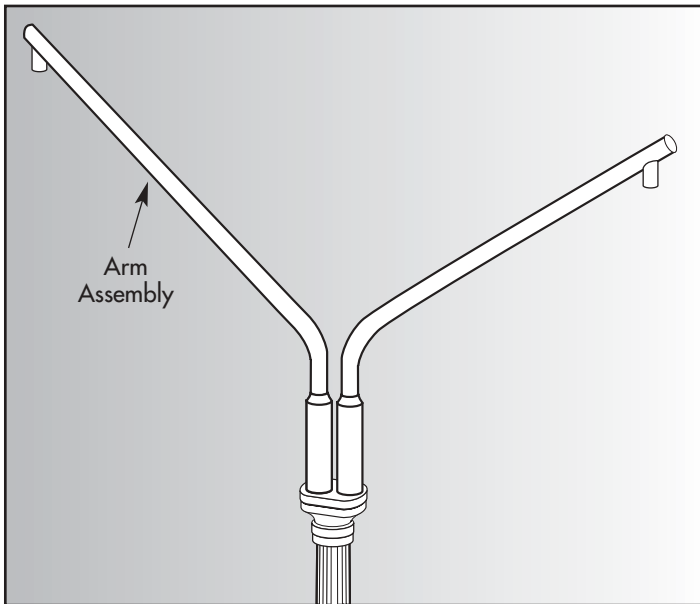


CHATEAU PTA-CH2



SPECIFICATIONS

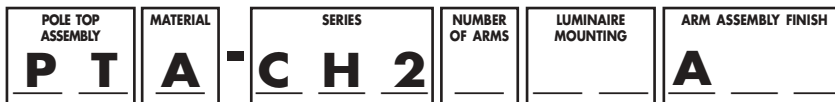
Luminaire Arm Assemblies: This curved arm is manufactured from 2" O.D. extruded aluminum tube, and is heat-treated to produce a T6 temper. The arm is mounted directly to the pole using a tenon interface.

Luminaire Mounting: The "D2" luminaire mounting option is supplied with a 1-1/2" female threaded coupling welded 1" from the end of the arm pointing down. A 1-1/2" male threaded coupling is provided to adapt to female hub luminaires. A stainless steel hex drive set screw is provided in the female coupling as an anti-rotation locking device.

Pole Top Assembly Mounting to Pole: For single arms, pole top assemblies are mounted to City Quartz poles with a "PQ" tenon designed to support all pole top assemblies. For double arms, a "C2" tenon must be specified with the pole. The arm assembly is provided with two sets of three stainless steel screws at 120° that secure the pole top assembly to the pole.

Finishes: The finish for the pole top assemblies is polyester powder applied coating in accordance with Valmont Industries' Specifications.

CATALOG LOGIC



POLE TOP ASSEMBLY
PT = Pole Top Assembly

MATERIAL
A = Aluminum

SERIES
CH2 = Chateau #2

NUMBER OF ARMS
1 = Single
2 = Double @ 180

LUMINAIRE MOUNTING
T2 = Tenon Up 2-3/8" O.D. x 3"
T3 = Tenon Up 3" O.D. x 3"
D2 = Threaded Hub Down 1-1/2" NPS Female with Male Adapter
ST = Special Mounting (Please Specify)

ARM ASSEMBLY FINISH

WH = White	SL = Silver	HG = Hunter Green
BK = Black	BR = Burgundy	AB = Azure Blue
MB = Medium Bronze	RD = Red	BV = Dark Blue Violet
SG = Slate Grey	CG = Copper Green	SC = Special Color (Please Specify)
ST = Sandstone	BG = Blue Green	



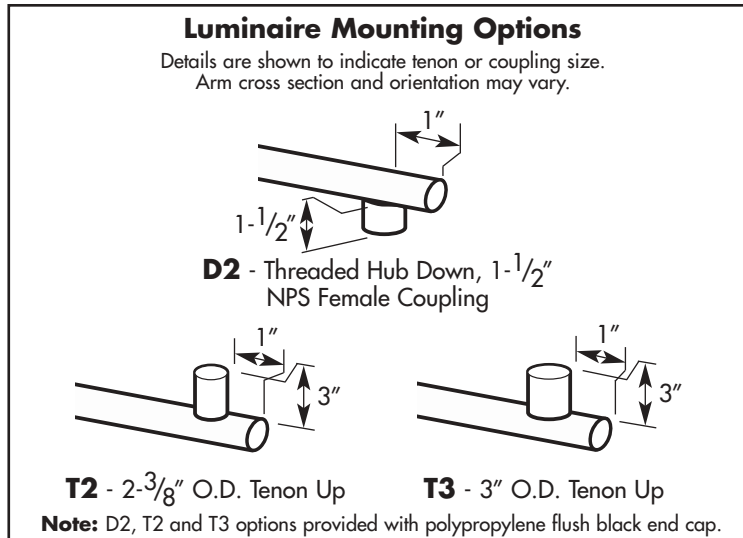
ALUMINUM POLE TOP ASSEMBLIES CHATEAU SERIES "PTA-CH2"



STRUCTURES

CITY QUARTZ ALUMINUM

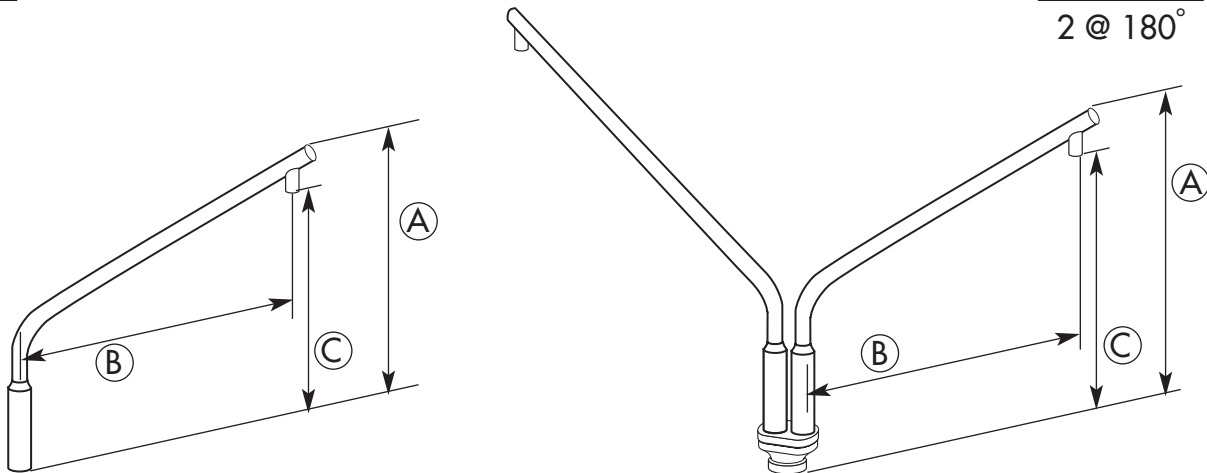
LUMINAIRE MOUNTING OPTIONS



STANDARD DIMENSIONAL AND LOAD DATA

Single Arm

Double Arm 2 @ 180°



POLE TOP SERIES	DIMENSIONS			LOAD DATA	
	(A) HEIGHT OF ARM ASSEMBLY ABOVE POLE TOP	(B) HORIZ. DISTANCE TO LUMINAIRE	(C) HEIGHT OF LUMINAIRE BELOW POLE TOP	POLE TOP ASSEMBLY EPA (SQ FT)	POLE TOP ASSEMBLY WEIGHT (LBS)
Single Arm PTA-CH2-1-(M)-(AF)	5' - 2"	2' - 6"	4' - 4"	3.3	74
Double Arm (2 @ 180 Degrees) PTA-CH2-2-(M)-(AF)	5' - 2"	2' - 6"	4' - 4"	5.2	108

"PTA" Aluminum Pole Top Assemblies Ordering Notes:

- 1) Replace (M) with Luminaire Mounting Selection and (AF) with Arm Assembly Finish Selection. See Catalog Logic for choices.
- 2) Pole Top Assembly weight and EPA must be added to luminaire load data to determine appropriate pole size. Pole top assemblies are designed for a maximum load of 120 lbs and 5.0 EPA per luminaire.

SPC7045 06/05