

- 10' to 20' mounting heights.
- 4" and 5" diameter poles
- Luminaires may be mounted on tenons, brackets, or shaft may be drilled to manufacturer's mounting specifications.

SPECIFICATIONS

All aluminum alloys shall comply with metallurgical and mechanical properties set forth in the Aluminum Association Standards.

Shaft: The shaft shall be spun tapered from all new 6063 alloy aluminum tubing and shall be heat treated to produce a T6 temper. Each shaft shall have a 6" long x 3" O.D. straight section at the top to accommodate single or multiple luminaire configurations as a slipfitter. The shaft shall be polished with fine grain aluminum oxide cloths, resulting in a high quality circumferential satin finish. After finishing, each pole shall be fully wrapped with neutral PH krinkle/kraft paper for protection in shipment.

Pedestal Base: The pedestal base is cast from A356 alloy aluminum and is circumferentially welded to the shaft. After fabrication assembly is heat treated to a T6 temper.

Ground Leg Provision: Each pole shall include a 5/16"-18 tapped provision for ground connector.

Base Handhole: The clear opening and door are a trapezoid configuration. The clear opening on the vertical axis is 7". The opening on the horizontal axis is 6-1/4" at the top and 8" at the bottom.

Anchor Bolts: Each pedestal base shall include: (3) 3/4"-10 x 17" steel fully hot dip galvanized anchor bolts each with (2) nuts and (2) flat washers.

Special Finishes: Natural anodize, duranodic, or painted finishes may be specified as an addition to the satin brushed finish, if required. All aluminum parts and accessories shall receive a finish similar to that specified.

CATALOG LOGIC

Feet and Inches	Top Diameter	Base Diameter	Wall Thickness	Shape of Shaft	Base or Mounting	Fixture Mounting	Finishes	Options
<input type="text"/>	<input type="text"/>	<input type="text"/>	<input type="text"/>	<input type="text"/>	<input type="text"/>	<input type="text"/>	<input type="text"/>	<input type="text"/>

Feet & Inches*	Diameter*	Wall Thickness*	Shape of Shaft	Base or Mounting	Fixture Mounting	Finishes	Options
0908 - 10'	TOP DIAMETER IN INCHES	THICKNESS IN 32NDS OF AN INCH	T - Tapered Round	P - Pedestal Base (3-Bolt)	D1 - 1@90°	POLYESTER POWDER	DBR - Bright Red DNB - Dark Bronze DNA - Natural Alum DSS - Sandstone DWH - White SC - Special Color (Please Specify) ANODIZED 204 - Clear Natural 311 - Light Bronze* 312 - Med Bronze* 313 - Dark Bronze* 335 - Black* BRUSHED SBF - Satin Brushed Finish
1108 - 12'	30 - 3"	4 - 4/32" or 0.125" Wall			D2 - 2@180°	DBL - Black	
1308 - 14'	BASE DIAMETER* IN INCHES	5 - 5/32" or 0.156" Wall			D3 - 3@120°	DCG - Charcoal Gray	
1508 - 16'			40 - 4"	D4 - 4@90°	DMB - Med Bronze		
1708 - 18'	50 - 5"	6 - 6/32" or 0.188" Wall			D5 - 2@90°	DSB - Steel Blue	
1908 - 20'					D6 - 3@90°	DTG - Dark Green	
					P2 - 2-3/8" x 4 Tenon	SC - Special Color (Please Specify)	
					P9 - Other Tenon (Please Specify)	ANODIZED	
						204 - Clear Natural	
						311 - Light Bronze*	
						312 - Med Bronze*	
						313 - Dark Bronze*	
						335 - Black*	
						BRUSHED	
						SBF - Satin Brushed Finish	

* For available Base Diameter, Wall Thickness and Length Combinations, see Dimensional Load Data Table that follows.

Customer Approval:

signature

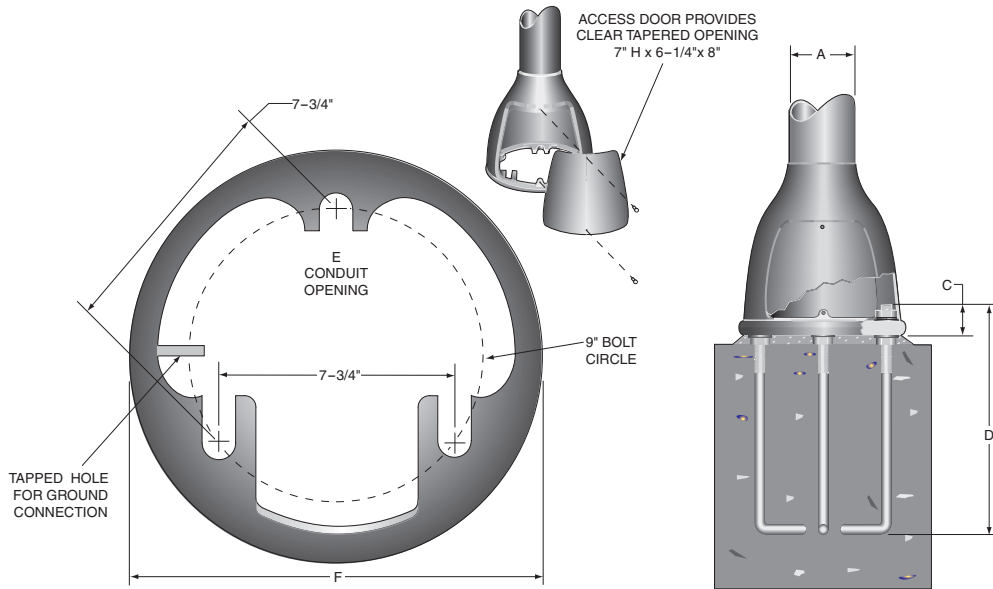
date

Job Name: _____	Quote: _____
Client Name: _____	
Created By: _____	Date: _____

10' TO 20' ROUND TAPERED PEDESTAL BASE POLES

ANCHOR BASE AND BOLT DETAIL

A	B	C	D	E	F
POLE DIAMETER	BOLT CIRCLE	BOLT PROJECTION	BOLT SIZE	CONDUIT OPENING	BASE SIZE
4"	9"	3-1/2"	3/4" x 17"	7-1/4"	12-1/2" Diameter
5"	9"	3-1/2"	3/4" x 17"		12-1/2" Diameter



DIMENSIONAL AND LOAD DATA

TYPICAL WEIGHT AND ALLOWABLE SIZE OF LUMINAIRES*							DIMENSIONS OF POLES				
NOMINAL MOUNTING HEIGHT	TYPICAL LUMINAIRE WEIGHT (LBS.)	EFFECTIVE PROJECTED AREA IN SQUARE FEET AT:					POLE HEIGHT	TOP	BASE	WALL	MODEL NUMBER **
		70 MPH	80 MPH	90 MPH	100 MPH	110 MPH					
10'	75	11.9	8.8	6.7	5.2	4.1	9'8"	3"	4"	.125"	0908 - 30404TP
10'	75	19.7	14.7	11.4	9.0	7.3	9'8"	3"	5"	.125"	0908 - 30504TP
12'	75	9.1	6.6	4.8	3.6	2.8	11'8"	3"	4"	.125"	1108 - 30404TP
12'	75	15.5	11.4	8.7	6.8	5.4	11'8"	3"	5"	.125"	1108 - 30504TP
12'	75	19.4	14.4	11.1	8.7	7.0	11'8"	3"	5"	.156"	1108 - 30505TP
12'	75	23.3	17.4	13.4	10.6	8.6	11'8"	3"	5"	.188"	1108 - 30506TP
14'	75	6.9	4.9	3.4	2.4	1.8	13'8"	3"	4"	.125"	1308 - 30404TP
14'	75	12.3	8.9	6.6	5.1	4.0	13'8"	3"	5"	.125"	1308 - 30504TP
14'	75	15.6	11.4	8.6	6.7	5.3	13'8"	3"	5"	.156"	1308 - 30505TP
14'	75	18.9	13.9	10.6	8.3	6.7	13'8"	3"	5"	.188"	1308 - 30506TP
16'	75	5.3	3.5	2.3	1.5	0.9	15'8"	3"	4"	.125"	1508 - 30404TP
16'	75	9.8	6.9	5.0	3.8	2.9	15'8"	3"	5"	.125"	1508 - 30504TP
16'	75	12.6	9.1	6.8	5.2	4.0	15'8"	3"	5"	.156"	1508 - 30505TP
16'	75	15.5	11.3	8.5	6.5	5.2	15'8"	3"	5"	.188"	1508 - 30506TP
18'	75	7.8	5.3	3.7	2.7	2.0	17'8"	3"	5"	.125"	1708 - 30504TP
18'	150	9.9	7.0	5.0	3.7	2.8	17'8"	3"	5"	.156"	1708 - 30505TP
18'	150	12.4	8.8	6.5	4.9	3.8	17'8"	3"	5"	.188"	1708 - 30506TP
20'	150	6.3	4.1	2.7	1.7	1.1	19'8"	3"	5"	.125"	1908 - 30504TP
20'	150	8.1	5.5	3.8	2.6	1.9	19'8"	3"	5"	.156"	1908 - 30505TP
20'	150	10.3	7.2	5.1	3.7	2.8	19'8"	3"	5"	.188"	1908 - 30506TP

* EPA calculations are based on a 1.3 Gust Factor. Variations from sizes listed above, available upon inquiry at the factory. Satisfactory performance of lighting poles is dependent upon the pole being properly attached to a supporting foundation of adequate design. Valmont does not design or offer recommendations for foundations.
 ** Model number does not include mounting options or finish designation.

SFC7072 08/07 www.valmontstructures.com carries the most current spec. information and supersedes these guidelines.