

- 30' to 50' mounting heights.
- For single or multiple luminaire mounting.
- Luminaires may be mounted on tenons, brackets or shaft may be drilled to manufacturer's mounting specifications.

SPECIFICATIONS

All aluminum alloys shall comply with metallurgical and mechanical properties set forth in the Aluminum Association Standards.

Shaft: The shaft shall be spun tapered from all new seamless 6063 alloy aluminum and shall be heat treated to produce a T6 temper. Each shaft shall have a minimum 6" long straight section at the top to accommodate the center hub of the appropriate Valmont flood light bracket or tapered arm. Alternatively, the straight section may be drilled for mounting luminaires. All Valmont shafts shall be polished with fine grain aluminum oxide cloths, resulting in a high quality, circumferential satin brushed finish. After finishing each pole shall be fully wrapped for protection in shipment.

Anchor Base: The anchor base is cast from A356 alloy aluminum and is circumferentially welded to the shaft. The completed assembly will be heat treated to T6 temper after all structural welding is completed. A356 alloy aluminum nut covers shall be included with each anchor base unless otherwise specified.

Ground Leg Provision: Each pole shall include a 5/16"-18 tapped provision for ground connector.

Handholes: Standards shall include a flush covered handhole. The opening in the 7", 8" and 10" diameter pole shall measure 4" x 6". An optional 4" x 8" opening is available for 8" and 10" diameter poles.

Anchor Bolts: Each pole shall include: (4) steel hot dip galvanized anchor bolts each with (2) nuts and (2) flat washers sized to match the anchor bolts.

Special Finishes: Natural anodize, duranodic, or painted finishes may be specified as an addition to the satin brushed finish, if required. All aluminum parts and accessories shall receive a finish similar to that specified.

CATALOG LOGIC

Feet and Inches	Top Diameter	Base Diameter	Wall Thickness	Shape of Shaft	Base or Mounting	Fixture Mounting	Finishes	Options
<input type="text"/>	<input type="text"/>	<input type="text"/>	<input type="text"/>	<input type="text"/>	<input type="text"/>	<input type="text"/>	<input type="text"/>	<input type="text"/>

Feet & Inches*	Diameter*	Wall Thickness*	Shape of Shaft	Base or Mounting	Fixture Mounting	Finishes	Options
2908 - 30'	TOP DIAMETER IN INCHES	THICKNESS IN 32NDS OF AN INCH	T - Tapered Round	4 - 4-Bolt Anchor Base	D1 - 1@90° D2 - 2@180° D3 - 3@120° D4 - 4@90° D5 - 2@90° D6 - 3@90° P2 - 2-3/8" x 4 Tenon P9 - Other Tenon (Please Specify)	POLYESTER POWDER DBL - Black DCG - Charcoal Gray DMB - Med Bronze DSB - Steel Blue DTG - Dark Green SC - Special Color (Please Specify) ANODIZED 204 - Clear Natural 312 - Med Bronze* 335 - Black*	DBR - Bright Red DDB - Dark Bronze DNA - Natural Alum DSS - Sandstone DWH - White 311 - Light Bronze* 313 - Dark Bronze* * Duranodic Anodize
3208 - 33'	40 - 4"	5 - 5/32" or 0.156" Wall					See Accessory Section (Please Specify with Code #)
3408 - 35'	45 - 4-1/2"	6 - 6/32" or 0.188" Wall					
3608 - 37'	60 - 6"	8 - 8/32" or 0.250" Wall					
3808 - 39'	BASE DIAMETER* IN INCHES						
4708 - 48'	70 - 7"						
4908 - 50'	80 - 8" 10 - 10"						

* For available Base Diameter, Wall Thickness and Length Combinations, see Dimensional Load Data Table that follows.

BRUSHED
SBF - Satin Brushed Finish

Customer Approval:

signature

date

Job Name: _____ Quote: _____

Client Name: _____

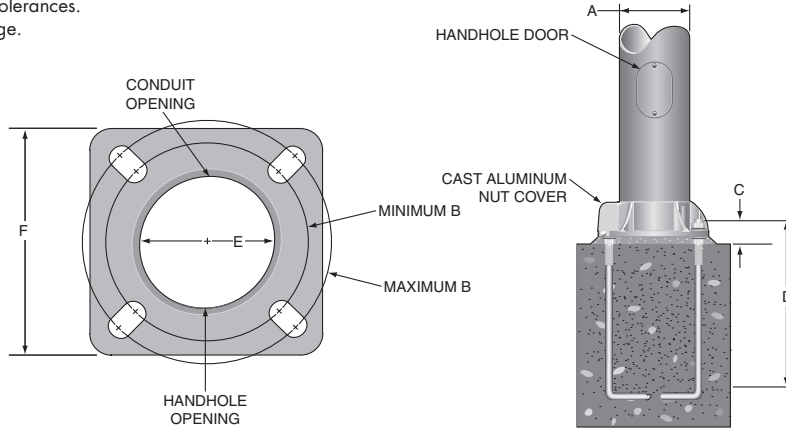
Created By: _____ Date: _____

30' TO 50' ROUND TAPERED 4-BOLT ANCHOR BASE POLES

ANCHOR BASE AND BOLT DETAIL

A POLE DIAMETER	B BOLT CIRCLE	C BOLT PROJECTION	D BOLT SIZE	E CONDUIT OPENING	F BASE SIZE
7"	10" - 11-1/4"	4-1/8"	1" x 36"	6-1/2"	11-3/16"
8"	11" - 12"	4-1/8"	1" x 36"	7-1/2"	12"
10"	14" - 1/2"	4-3/4"	1" x 36"	9-1/2"	13"
*10"	14" - 1/2"	5-1/4"	1-1/4" x 42"	9-1/2"	14"

*0.250" Wall or Larger.
10" Base Bolt Circles Have ± Tolerances.
Contact Factory for Actual Range.



DIMENSIONAL AND LOAD DATA

TYPICAL WEIGHT AND ALLOWABLE SIZE OF LUMINAIRE*							DIMENSIONS OF POLES				
NOMINAL MOUNTING HEIGHT	TYPICAL LUMINAIRE WEIGHT (LBS.)	EFFECTIVE PROJECTED AREA IN SQUARE FEET AT:					POLE HEIGHT	TOP	BASE	WALL	MODEL NUMBER **
		70 MPH	80 MPH	90 MPH	100 MPH	110 MPH					
30'	150	10.0	6.5	4.5	3.2	2.4	29'8"	4'	7"	.156"	+2908 - 40705T4
30'	150	15.5	11.1	8.2	6.2	4.8	29'8"	4.5'	8"	.156"	+2908 - 45805T4
30'	150	20.2	14.6	11.1	8.6	6.7	29'8"	4.5'	8"	.188"	2908 - 45806T4
30'	150	28.8	21.2	16.2	12.8	10.2	29'8"	4.5'	8"	.250"	2908 - 45808T4
30'	200	37.3	28.0	21.5	16.8	13.3	29'8"	6'	10"	.188"	2908 - 60106T4
30'	300	50.7	38.2	29.6	23.5	18.8	29'8"	6'	10"	.250"	2908 - 60108T4
33'	150	12.1	8.4	6.0	4.5	3.3	32'8"	4.5'	8"	.156"	+3208 - 45805T4
33'	150	16.4	11.5	8.5	6.5	4.9	32'8"	4.5'	8"	.188"	3208 - 45806T4
33'	150	24.0	17.4	13.2	10.2	8.1	32'8"	4.5'	8"	.250"	3208 - 45808T4
33'	200	31.5	23.5	18.0	14.0	10.8	32'8"	6'	10"	.188"	3208 - 60106T4
33'	300	43.5	32.7	25.2	19.9	15.8	32'8"	6'	10"	.250"	3208 - 60108T4
35'	150	10.2	6.8	4.8	3.4	2.5	34'8"	4.5'	8"	.156"	+3408 - 45805T4
35'	150	14.0	9.8	7.1	5.3	4.0	34'8"	4.5'	8"	.188"	3408 - 45806T4
35'	150	21.3	15.2	11.4	8.8	6.9	34'8"	4.5'	8"	.250"	3408 - 45808T4
35'	200	28.4	21.1	16.0	12.2	9.4	34'8"	6'	10"	.188"	3408 - 60106T4
35'	300	39.4	29.5	22.7	17.6	13.9	34'8"	6'	10"	.250"	3408 - 60108T4
37'	150	12.0	8.1	5.8	4.2	3.1	36'8"	4.5'	8"	.188"	+3608 - 45806T4
37'	150	18.7	13.3	9.9	7.5	5.8	36'8"	4.5'	8"	.250"	3608 - 45808T4
37'	200	25.4	18.7	14.1	10.7	8.0	36'8"	6'	10"	.188"	3608 - 60106T4
37'	300	35.8	26.7	20.4	15.8	12.2	36'8"	6'	10"	.250"	3608 - 60108T4
39'	150	10.1	6.6	4.6	3.2	2.1	38'8"	4.5'	8"	.188"	+3808 - 45806T4
39'	150	16.5	11.4	8.4	6.4	4.7	38'8"	4.5'	8"	.250"	3808 - 45808T4
39'	200	22.8	16.7	12.4	9.2	6.8	38'8"	6'	10"	.188"	3808 - 60106T4
39'	300	32.4	24.0	18.2	14.0	10.7	38'8"	6'	10"	.250"	3808 - 60108T4
48'	300	19.6	14.1	10.4	7.6	5.4	47'8"	6'	10"	.250"	4708 - 60108T4
50'	300	17.5	12.5	9.1	6.5	4.5	49'8"	6'	10"	.250"	4908 - 60108T4

SEE SECTIONS 8 AND 9 FOR MOUNTING ARMS ON POLES.

* EPA calculations are based on a 1.3 Gust Factor. Variations from pole sizes listed above, available upon inquiry at the factory. Satisfactory performance of lighting poles is dependent upon the pole being properly attached to a supporting foundation of adequate design. Valmont does not design or offer recommendations for foundations.

** Model number does not include mounting options or finish designation.

+ Pole includes factory installed vibration dampener.