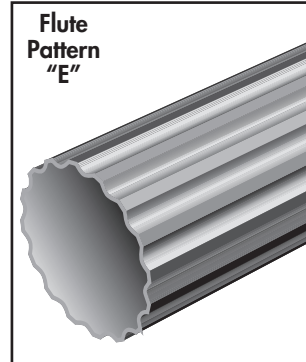


SPECIFICATIONS

Pole

The Huntington pole is available in 8' to 18' including a cast aluminum structural base with a fluted tapered round aluminum shaft. The pole is designed to accommodate a twin arm assembly up to a 36" overall span.



Flute Pattern "E"

Shaft

The shaft is seamlessly extruded from 6063 aluminum alloy. After being spun tapered and fluted, the shaft is inserted and welded into the decorative structural base casting.

Structural Base

The structural base is cast from A356 aluminum alloy. A continuous circumferential weld at the top and inside of the base joins the structural base casting and shaft. The anchor bolts are located inside the base. The completed assembly is heat-treated to T6 temper after all structural welding is completed.

Access Door

An access door is provided to install and service the ground connector and circuit wiring. The door is 16.50" in height and 3.25" in width and fits to the base with stainless steel hardware.

Anchor Bolts

Anchor bolts are fabricated from carbon steel bar conforming to the requirements of ASTM F1554 Grade 55. The upper 12" of the bolts are hot dip galvanized per ASTM A153. Each anchor bolt is supplied with two hex nuts and two flat washers.

Electrical Ground Connector

A nut holder is provided in the base and accessible from the access door. The nut holder includes a tapped 3/8"-16 UNC bolt.

Finish

The finish for the pole is polyester powder coating applied over chromate pre-treatment in accordance with Valmont Industries' Specifications.

CATALOG LOGIC

| Series | Base Diameter | Material/Style | Length | Top Diameter | Shaft Base Diameter | Wall Thickness | Shape of Shaft | Fixture Mounting | Standard Finishes | Options |
|----------------------------------|----------------------------------|--|---|--|--|--|--|---|--|--|
| HN | 17 | AS | | TF | | 4 | E | P | | |
| Series HN = Huntington | Base Diameter 17 = 17" | Material/Style AS = Aluminum Structural Base | Length 080 = 8' 100 = 10' 120 = 12' 140 = 14' 160 = 16' 180 = 18' | Top Diameter TF = Tapered Fluted (Top Diameter Varies) | Shaft Base Diameter ^① 50 = 5" 60 = 6" | Wall Thickness 4 = 4/32" or 0.125" | Shape of Shaft E = Fluted Tapered Round 16 Flat | Fixture Mounting P2 = 2 3/8" x 4" Tenon PD = 3" x 3" Tenon P9 = Special Tenon (Specify) | Standard Finishes WT = White BK = Black MB = Medium Bronze DB = Dark Bronze HG = Hunter Green BR = Burgundy SC = Special Color (Specify) | Options FS = Festoon Outlet (Indicate Location) SP = Special Attachments (Specify) |

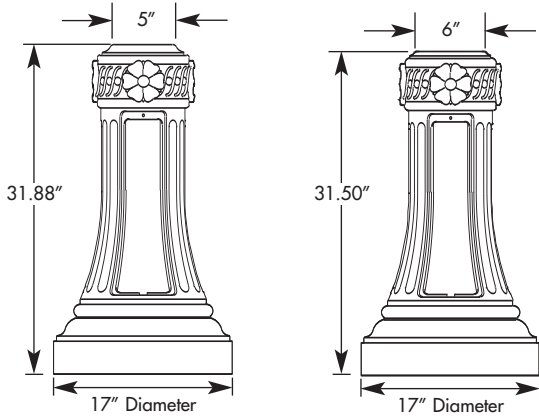
① Shaft base diameter is at the top of the decorative base casting.

HUNTINGTON HN17-AS

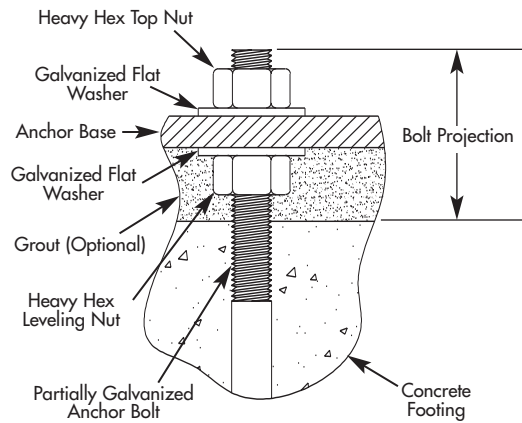
STRUCTURAL 8' TO 18' FLUTED TAPERED ROUND 16 FLAT

ANCHOR BASE AND BOLT DIMENSIONS

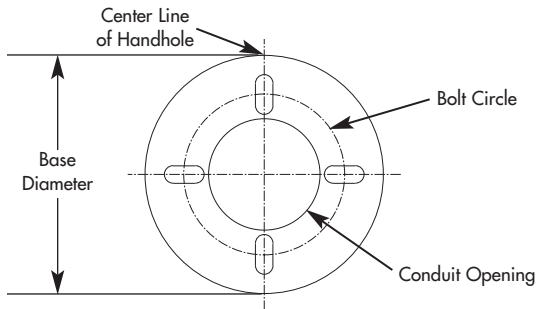
Base Dimensions



Bolt Projection Detail



Anchor Base Detail



| BASE DESCRIPTION | BOLT CIRCLE | | ANCHOR BOLT | | |
|------------------|-------------|--------|---------------------------|-----------------|--------|
| | DIA. (IN) | ± (IN) | DIA. X LENGTH X HOOK (IN) | PROJECTION (IN) | ± (IN) |
| HN17-AS | 11.50 | 1.50 | 0.75 x 17.00 x 3.00 | 3.50 | 0.25 |

STANDARD AND DIMENSIONAL DATA TABLE

| POLE HEIGHT (FT) | CATALOG NUMBER | SHAFT | | | | 80 MPH [Ⓐ] | | 90 MPH [Ⓐ] | | 100 MPH [Ⓐ] | |
|------------------|-------------------|---------------|----------------|----------------|-------------------------|---------------------|------------------|---------------------|------------------|----------------------|------------------|
| | | TOP O.D. (IN) | BASE O.D. (IN) | WALL THK. (IN) | STRUCTURAL WEIGHT (LBS) | MAX EPA (SQ FT) | MAX WEIGHT (LBS) | MAX EPA (SQ FT) | MAX WEIGHT (LBS) | MAX EPA (SQ FT) | MAX WEIGHT (LBS) |
| 8 | HN17AS-080-TF504E | 4.20 | 5.00 | 0.125 | 75 | 21.9 | 300 | 17.0 | 300 | 13.4 | 300 |
| 10 | HN17AS-100-TF504E | 3.90 | 5.00 | 0.125 | 79 | 15.5 | 300 | 11.8 | 300 | 9.1 | 300 |
| 12 | HN17AS-120-TF604E | 4.60 | 6.00 | 0.125 | 84 | 17.4 | 300 | 13.1 | 300 | 10.0 | 300 |
| 14 | HN17AS-140-TF604E | 4.30 | 6.00 | 0.125 | 88 | 13.1 | 300 | 9.5 | 300 | 6.9 | 300 |
| 16 | HN17AS-160-TF604E | 4.10 | 6.00 | 0.125 | 92 | 9.7 | 300 | 6.7 | 300 | 4.5 | 300 |
| 18 | HN17AS-180-TF604E | 3.80 | 6.00 | 0.125 | 96 | 7.0 | 300 | 4.4 | 300 | 2.5 | 300 |

[Ⓐ] EPA values are calculated in accordance with AASHTO Specifications for Structural Supports for Highway Signs, Luminaires and Traffic Signals, 1994. EPA calculations allow for 1.3 Wind Gust Factor. Variations from standard sizes listed above, are available upon inquiry at the factory. Satisfactory performance of lighting standard is dependent upon the pole(s) being properly attached to a supporting foundation of adequate design. Valmont Industries does not design or offer recommendations for foundations.