

Valmont...Your Fluted Pole Source

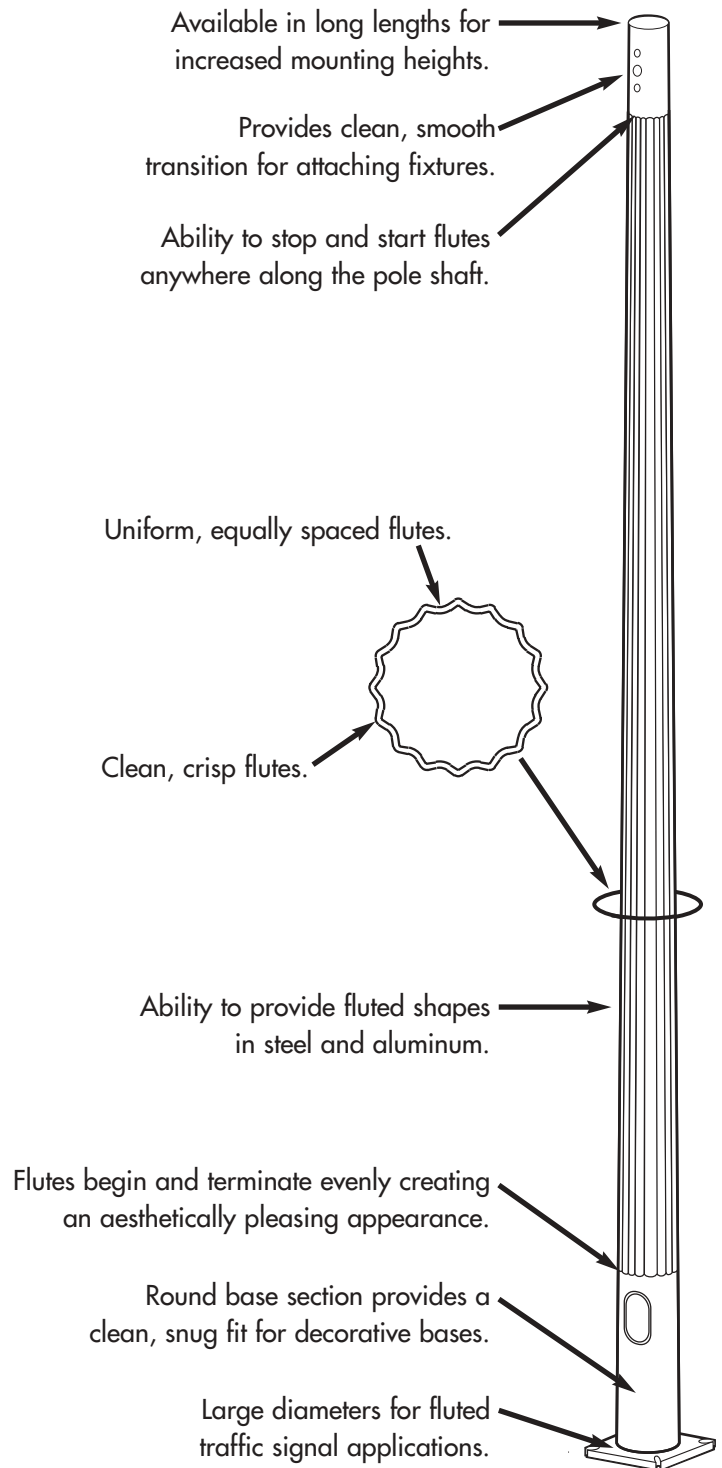
Valmont's unique array of tapered and non-tapered fluting options for steel and aluminum poles provides you the ability to customize your lighting or traffic project. Choose from over 10 shapes, or customize your shape for maximum design impact.

We understand the requirements of our customers and we've built our reputation on quality and innovation. Valmont has the unique ability to provide tapered poles in various mounting heights for pedestrian lighting, street and area lighting, and traffic poles and structures.

Whether you're lighting a residential neighborhood or revitalizing a downtown main street, Valmont's numerous fluted shapes provide unparalleled options to make a design statement. Simply stated, we offer the decorative solution for your lighting needs.

Choose Valmont . . . your fluted pole source, and ultimately, your reliable pole partner.

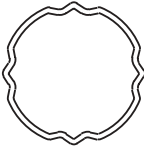
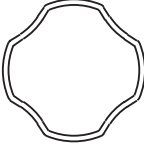
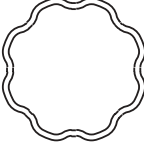
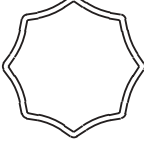
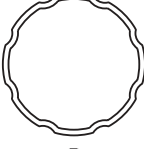
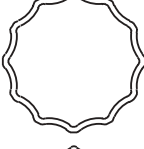
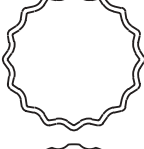
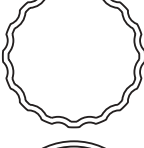
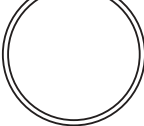
Wide variety of shapes and sizes. Many only available from Valmont.



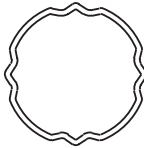
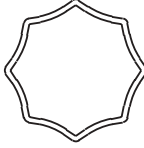
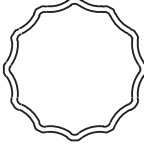
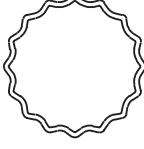
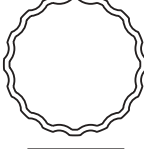
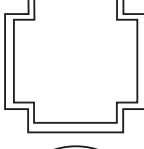
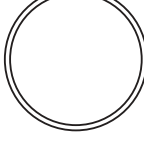
Customize a Lighting Pole

10 Shapes to Make a Design Statement

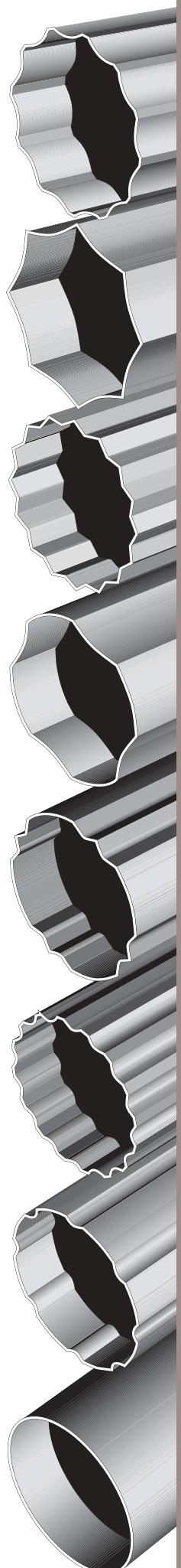
Steel Flutes

-  4 W
Tapered
-  4 Sharp
Tapered
-  8 Gear Tooth
Tapered
-  8 Sharp
Tapered
-  8 Flat
Tapered
-  12 Flat
Tapered
-  16 Sharp
Tapered
-  16 Flat
Tapered
-  Round Smooth
Tapered & Non-Tapered

Aluminum Flutes

-  4 W
Tapered
-  8 Sharp
Tapered
-  12 Flat
Tapered
-  16 Sharp
Tapered
-  16 Flat
Tapered & Non-Tapered
-  Cruciform
Non-Tapered
-  Round Smooth
Tapered & Non-Tapered
- Custom Shapes
Available

Choose one of Valmont's unique pole shapes for your next lighting pole solution.





Valley, Nebraska, USA
Farmington, Minnesota, USA
Salem, Oregon, USA
Charmeil, France
Rive-De-Gier, France
Berrechid, Morocco

Commerce City, Colorado, USA
Elkhart, Indiana, USA
Selbyville, Delaware, USA
Siedlce, Poland
Maarheeze, the Netherlands
Chesterfield-Derbyshire, UK

Brenham, Texas, USA
Plymouth, Indiana, USA
St. Julie, Quebec, Canada
Gelsenkirchen, Germany
Shanghai, China
Guangzhou, China

valmont 
STRUCTURES

Conserving Resources. Improving Life.

Valmont Industries, Inc.
7002 N. 288th Street, P.O. Box 358
Valley, Nebraska 68064 USA
402.359.2201 ~ 800.825.6668
www.valmont.com